

RF Connector

ERF6004

Description

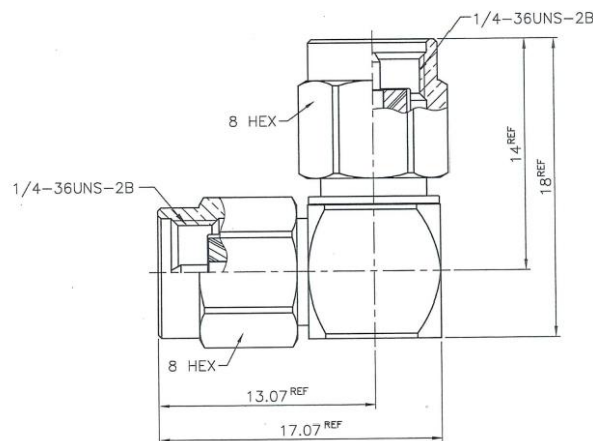
The ERF6004 is right angle a SMA Male to SMA Male connector.



Features

Parameter	Description
Connector type	BNC & N Converter
Dimensions:	40 x 17 x 17 mm ± 0.1
Operating Temperature Range:	-20°C~+65°C
Storage Temperature Range:	-20°C~+65°C
Materials	
Shell	Brass, Gold plated
Body	Brass, Gold plated
Gasket	Silicone (Red)
C-Ring	SUS304, Gold plated
Contact Pin	Brass, Nickel plated
Insulator	PTFE (White)
Cube Body	Brass, Gold plated

Dimensions



Ordering information

Ordering can be done via www.summit-electronics.com or via info@summit-electronics.com. Please contact us for more information. Customisation of the product is available on request.

Technical support

For all product questions please contact us via info@summit-electronics.com

Document revision

Rev	Date	changes
2023v1	23-04-2023	First issue of document